



Sloan Hydraulic Retractable Bollard

ITEM: #HB-3411



PRODUCT FEATURES

Retractable Bollards You Can Count On.

Introducing Sloan's Hydraulic Retractable Bollard engineered for physical premier security and controlled vehicle access. With fast operation, you'll be able to safely protect against vehicle threats, while still maintaining flexibility to lower for vehicle and emergency access when needed.

- Low maintenance design
- Optional top lighting in red, white, and yellow
- Fast operating (4 seconds)
- Cost effective for automated bollards

PRODUCT BENEFITS

Reliable. Flexible. Automated.



Pedestrian Friendly

Sloan's hydraulic retractable bollards are a pedestrian friendly solution with no entrapment points and sit flush with the roadway when lowered.



Superior Reliability

In the event of a power failure, Sloan's hydraulic rising bollards will remain in a raised position and can still be lowered manually, ensuring continued protection and reliability.



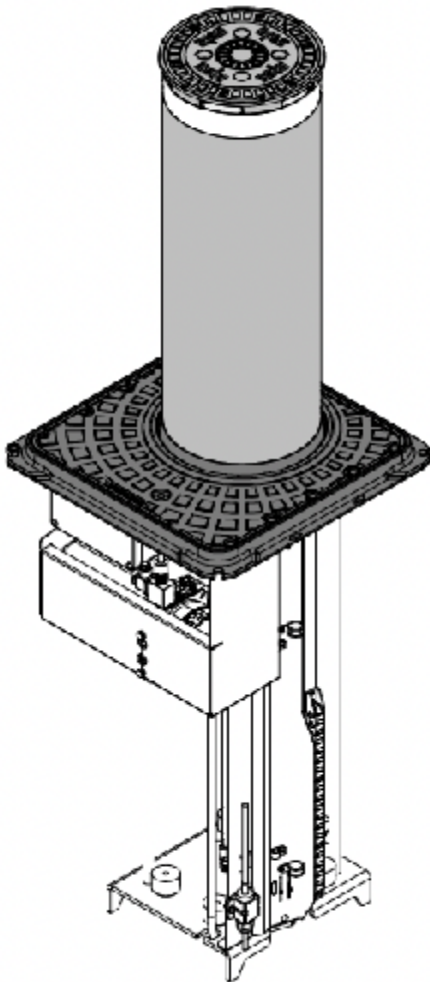
Rapid Deployment

Sloan's hydraulic retractable bollard is designed for fast operation with raising and lowering speeds of 4 seconds.



Sloan Hydraulic Retractable Bollard

ITEM: #HB-3411



Specifications

Item #	HB-3411
Model	Retractable
Finish	Painted or Stainless Steel
Configuration	Hydraulic
Foundation Depth	51.2"
Above Grade	31.5"
Diameter	10.8"
Warranty	1 year

Product Options

- Top Lighting (Red, White, or Yellow)
- Stainless Steel Finish
- Painted finish

Download a full list of specs at
WWW.SLOANSG.COM/HB-3411

