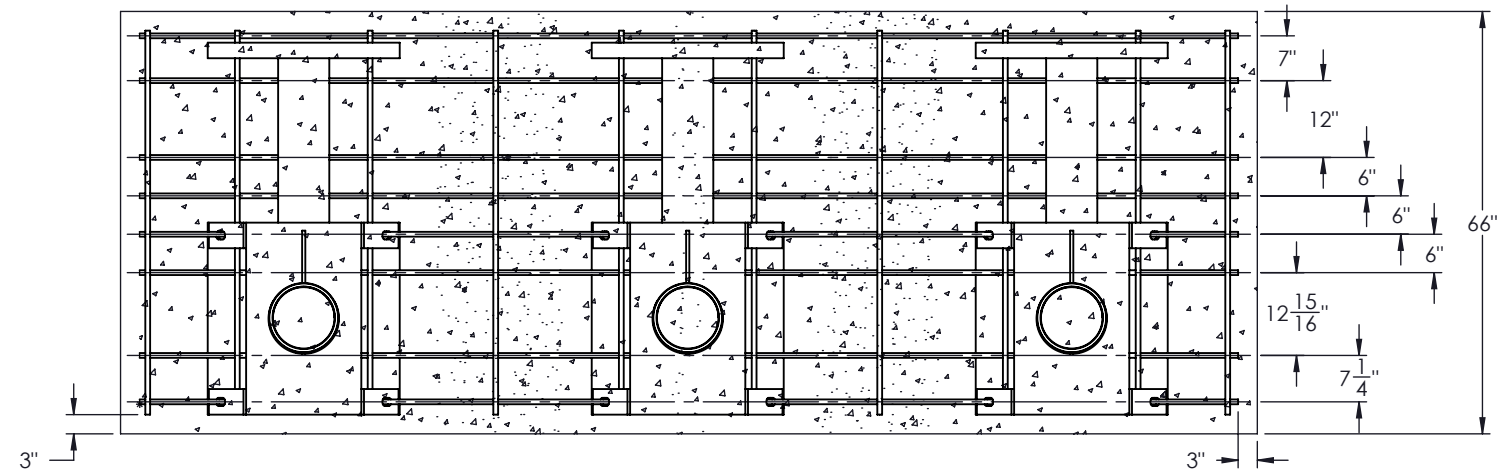


FB-7030-S TALL SHALLOW MOUNT BOLLARD SYSTEM

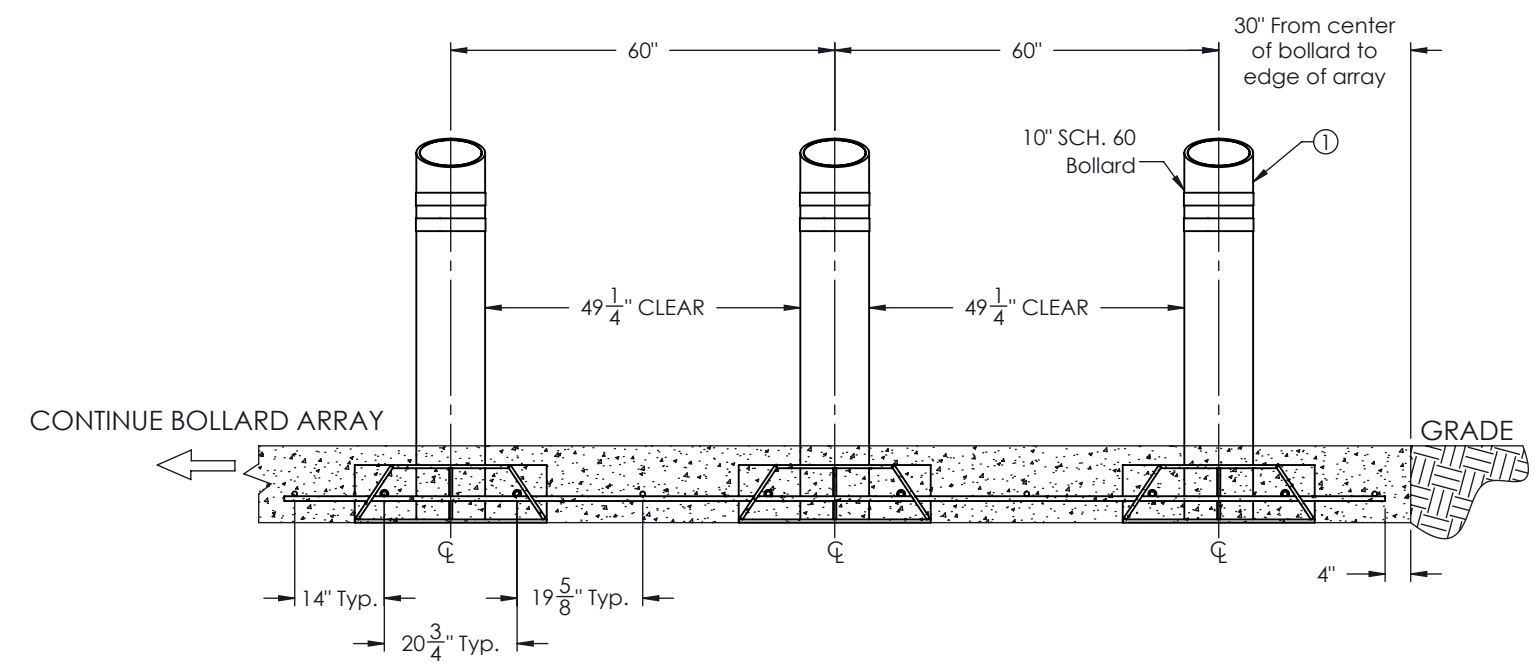
| ITEM NO. | DESCRIPTION | Measure (in) | QTY |
|----------|-----------------------------------|--------------|-----|
| 1 | M30 P1 10in Shallow Mount Bollard | | 3 |
| 2 | #6 Horizontal Rebar | Continuous | 8 |
| 3 | #6 Vertical Rebar | 5'-0" | 10 |

GENERAL NOTES

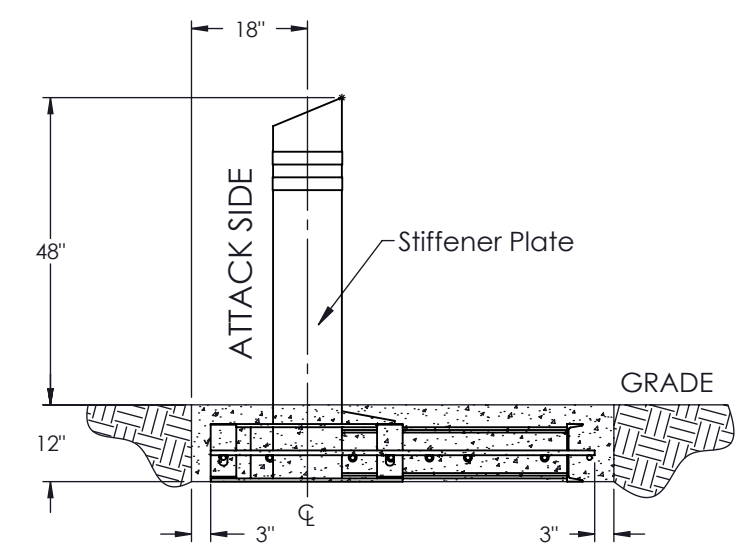
- For additional information contact Sloan at 1-800-275-5998.
- All concrete shall be per specification; minimum 5000PSI with a maximum water to cement ratio of 0.45.
- All rebar is #6 and should have 3" minimum clear cover.
- The foundation dimensions shown represent the minimum. for arrays of more than 3 bollards expand with typical spacings, as shown.
- Continue bollard and rebar pattern for longer array installation.



PLAN VIEW
SCALE 1 : 30



ELEVATION VIEW
SCALE 1 : 30



SIDE VIEW
SCALE 1 : 30

THE DRAWINGS AND INFORMATION CONTAINED
HEREIN ARE PROPRIETARY AND CONFIDENTIAL. ALL
RIGHTS RESERVED

PRODUCT:
FB-7030-S M30-P1
Fixed Bollard - Shallow Mount

SHEET DESCRIPTION:
3-Bollard Layout



PROJECT:

| | | |
|------------------|------------------|-------|
| SCALE: Varies | SHEET: 1 OF 1 | DWG # |
|------------------|------------------|-------|