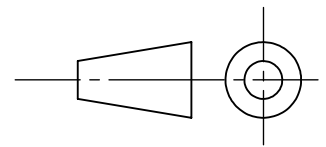
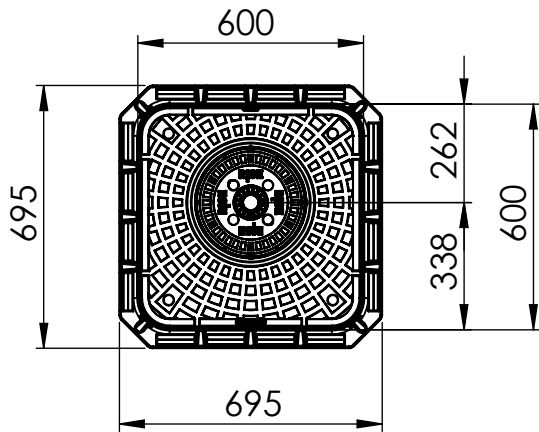
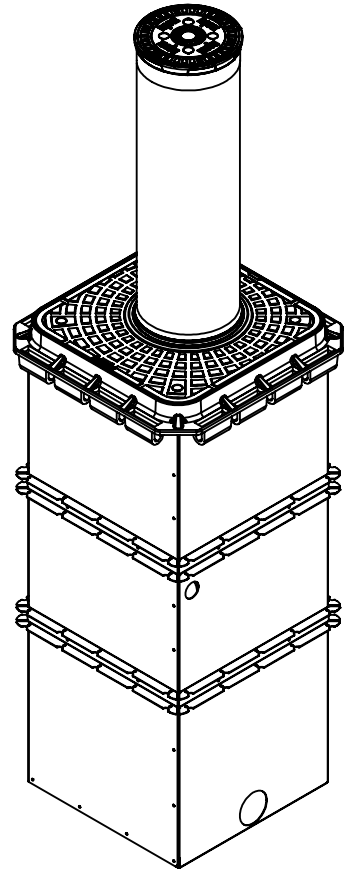
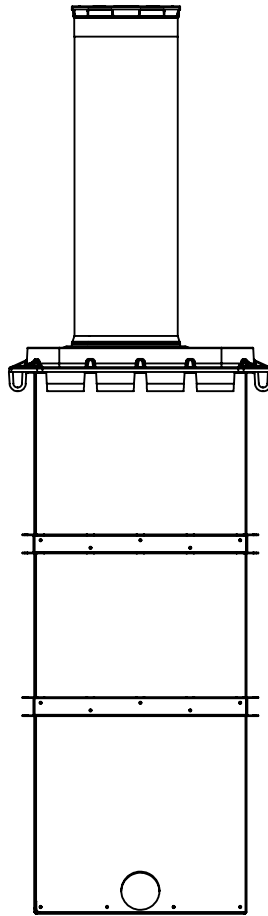
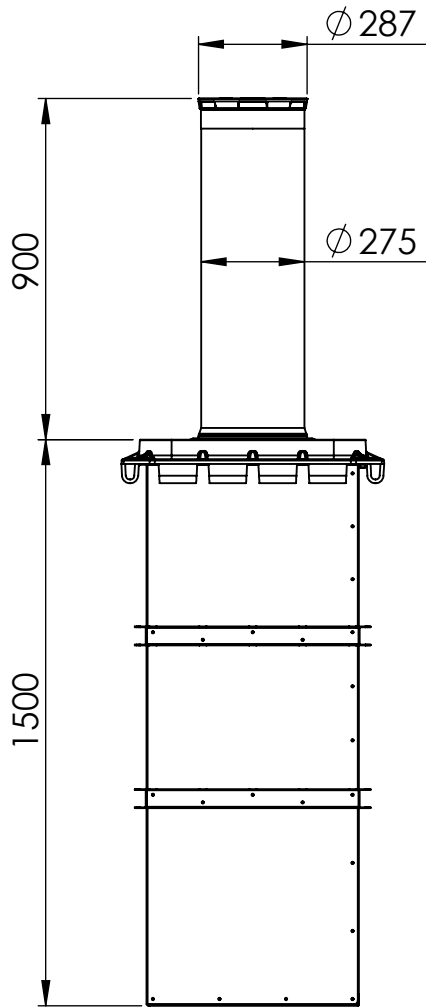



TOLERANCE UNLESS OTHERWISE SPECIFIED ISO 2768 m K	LINEAR	$\begin{matrix} 0.5 \\ \text{FROM} \\ \text{TO} \end{matrix} \overset{+}{\Delta} 3 \text{ mm} \pm 0.1$	$\begin{matrix} 3 \\ \text{OVER} \\ \text{TO} \end{matrix} \overset{+}{\Delta} 6 \text{ mm} \pm 0.1$	$\begin{matrix} 6 \\ \text{OVER} \\ \text{TO} \end{matrix} \overset{+}{\Delta} 30 \text{ mm} \pm 0.2$	$\begin{matrix} 30 \\ \text{OVER} \\ \text{TO} \end{matrix} \overset{+}{\Delta} 120 \text{ mm} \pm 0.3$	$\begin{matrix} 120 \\ \text{OVER} \\ \text{TO} \end{matrix} \overset{+}{\Delta} 400 \text{ mm} \pm 0.5$	$\begin{matrix} 400 \\ \text{OVER} \\ \text{TO} \end{matrix} \overset{+}{\Delta} 1000 \text{ mm} \pm 0.8$	$\begin{matrix} 1000 \\ \text{OVER} \\ \text{TO} \end{matrix} \overset{+}{\Delta} 2000 \text{ mm} \pm 0.8$	$\begin{matrix} 400 \\ \text{OVER} \\ \text{TO} \end{matrix} \overset{+}{\Delta} 1000 \text{ mm} \pm 0.8$
	ANGULAR	$\begin{matrix} 0 \\ \text{FROM} \\ \text{TO} \end{matrix} \overset{+}{\Delta} 10 \text{ mm} \pm 1^\circ$	$\begin{matrix} 10 \\ \text{OVER} \\ \text{TO} \end{matrix} \overset{+}{\Delta} 50 \text{ mm} \pm 30'$	$\begin{matrix} 50 \\ \text{OVER} \\ \text{TO} \end{matrix} \overset{+}{\Delta} 120 \pm 20'$	$\begin{matrix} 120 \\ \text{OVER} \\ \text{TO} \end{matrix} \overset{+}{\Delta} 400 \text{ mm} \pm 10'$	$\begin{matrix} 400 \\ \text{OVER} \\ \text{TO} \end{matrix} \overset{+}{\Delta} 1000 \text{ mm} \pm 5'$			



2					
1					
INDEX	DATE	MODIFICATION DESCRIPTION		REVISOR	
 6828 W Melrose St. Boise, ID 83709 1-800-275-5998 www.sloansg.com		MATERIAL		INDEX 0	
		CODE	RAW CODE	DRAWER	
		FILE	DENOMINATION Sloan Hydraulic Retractable Bollard HB-' (30		CHECKED
		TREATMENT	DATE 08/11/2021	SCALE 1:20	
		All rights are reserved. Forbidden reproduction.			