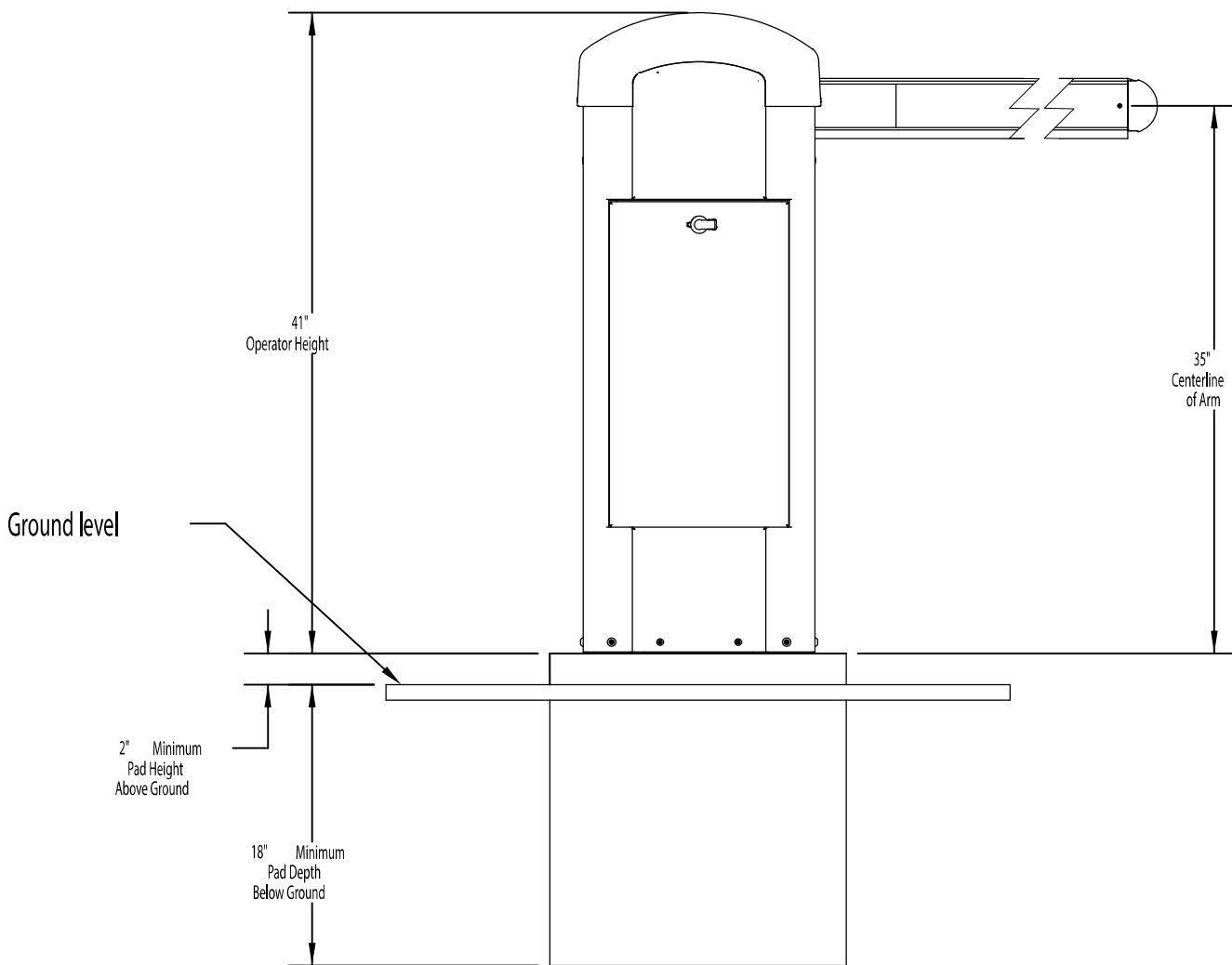
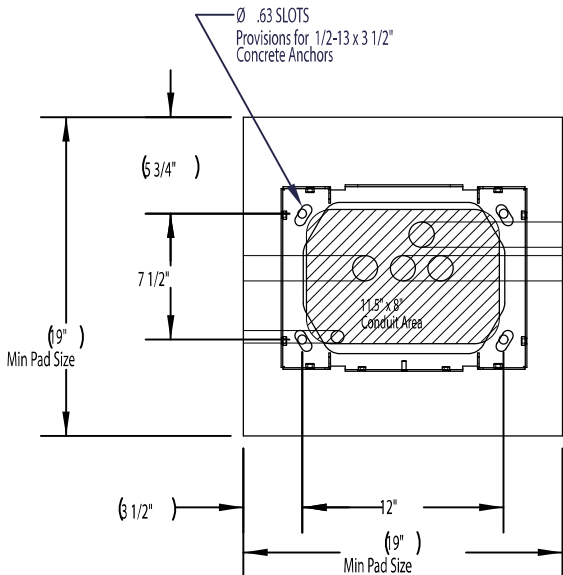


GENERAL MOUNTING DIMENSIONS



NOTE: DRAWING IS NOT TO SCALE.



SLOAN
SECURITY GROUP
6828 W Melrose St. Boise, ID 83709
1-800-275-6998
www.sloansg.com

DOCUMENT TITLE

Sloan Gate Arm - GA-8011

All rights are reserved. Forbidden Reproduction.

DRAWN

DATE

CHECKED

DATE

APPROVED

DATE

DOCUMENT NUMBER:

REV

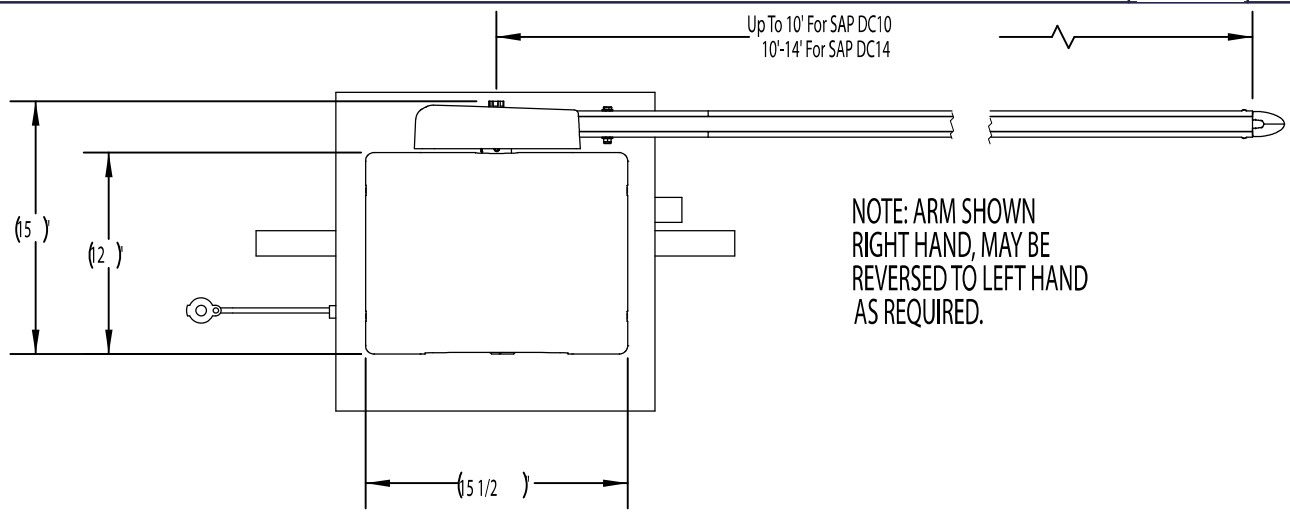
THIRD ANGLE PROJECTION



SHT OF

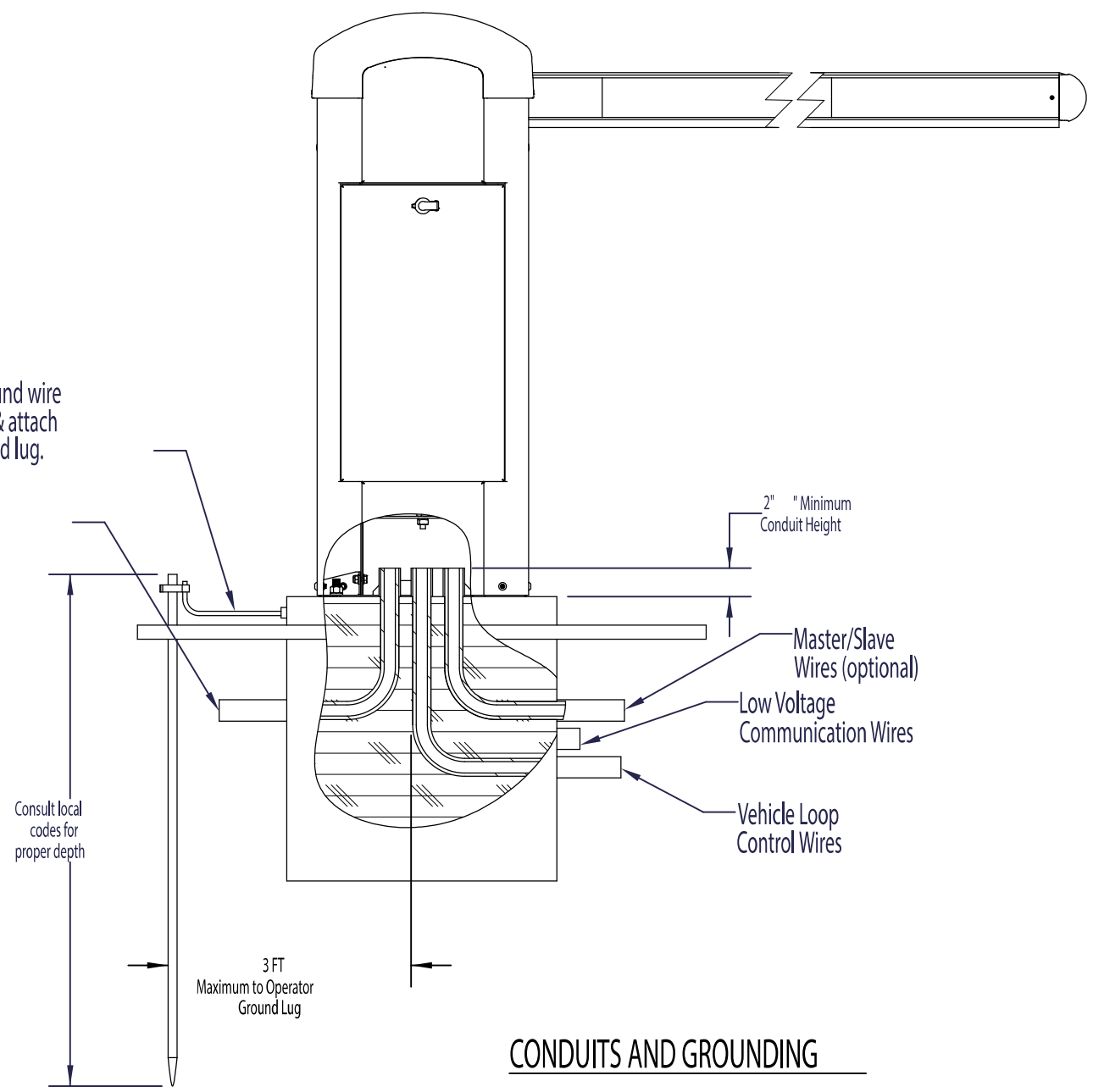
1

3



Earth Ground -
Route 6 AWG ground wire
through conduit & attach
to operator ground lug.

High Voltage AC



CONDUITS AND GROUNDING

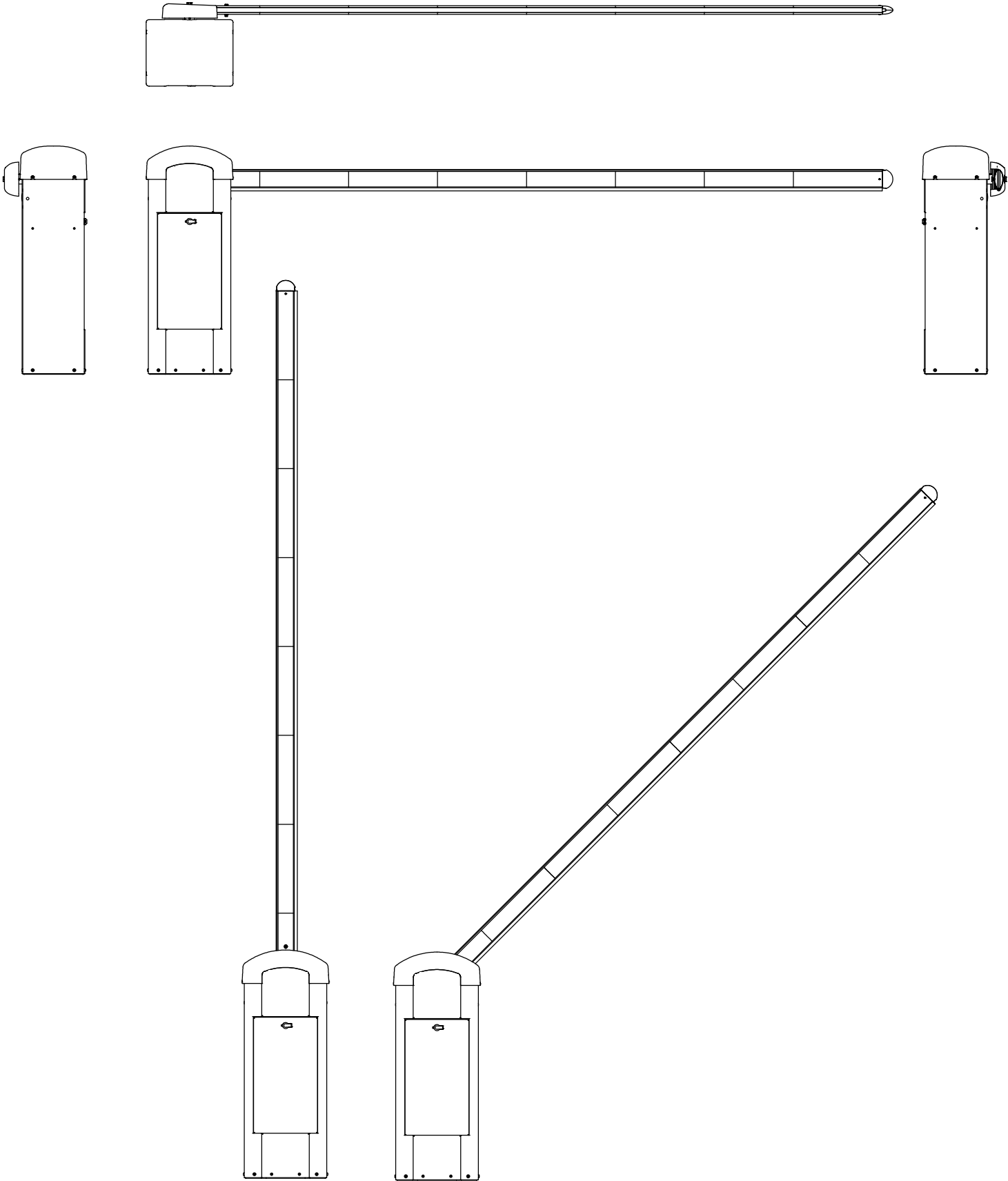
NOTE: DRAWING IS NOT TO SCALE.



Sloan Gate Arm - GA-8011

All rights are reserved. Forbidden Reproduction.

DRAWN	DATE	DOCUMENT NUMBER:	REV
CHECKED	DATE		
APPROVED	DATE		
THIRD ANGLE PROJECTION		SHT OF	2 3



NOTE: DRAWING IS NOT TO SCALE.



DOCUMENT TITLE

Sloan Gate Arm - GA-8011

All rights are reserved. Forbidden Reproduction.

DRAWN	DATE
CHECKED	DATE
APPROVED	DATE

DOCUMENT NUMBER:

THIRD ANGLE PROJECTION

REV

SHT OF 3 3